

# 360Five Designs

MODERN, ZERO-MAINTENANCE OUTDOOR FURNITURE



2  
0  
2  
4



We are a husband and wife team brought together by a love of creativity, engineering and modern design. We met while both getting our degree in Wood Finishing Technology, and after completing school, we spent years working with coatings and finishes. It is from this first hand experience that we know all about the hassles of finishing and maintaining furniture, especially when it is used outdoors.

That's why we set out to produce outdoor furniture that is stronger, more appealing and performs better than anything else available today. We take great pride in the fact that all of our furniture is maintenance free, derived from eco-friendly materials and designed to last decades.

The name 360Five is derived from two fundamental concepts that we passionately believe in. Firstly, 360 represents the full circle of recycled materials we use to make our furniture. Secondly, our products will last outside in any environment 365 days a year. Together, these ideas define our brand and solidify our objective of being an eco-conscious company that produces practical yet beautiful outdoor furnishings.

Today, our small but dynamic team designs, prototypes and builds each and every piece of furniture we offer. It is our greatest passion to provide people with high quality, modern, simply designed, and durable outdoor furniture. It is our goal to create furniture that truly makes "Outdoor living, elevated".

Paper and plastic, it's as simple as that. You could say we are the contents of your recycle bin, reincarnated.

The HDPE plastic we use is 25% stiffer than other HDPE and is made from recycled plastic. Even once made into furniture, the plastic can be broken down and reused again.

And while the plastic is fantastic, the "wood" is what really sets us apart from the crowd. Made from epoxy coated sheets of FSC certified craft paper sandwiched between two sheets of high pressure laminate, not only is it eye catching, it provides our furniture with strength, resilience and stability not found in any other outdoor furniture. It will never crack, sag, warp, splinter or need to be refinished. Some companies use it to brace their furniture, but we use it to make our furniture.

Both materials are made in the USA and are zero-maintenance, UV-resistant, waterproof, all weather, and resistant to temperature variations.





About.....	3-4
Color Options.....	8-9
Lounge.....	10-27
Dining.....	28-47

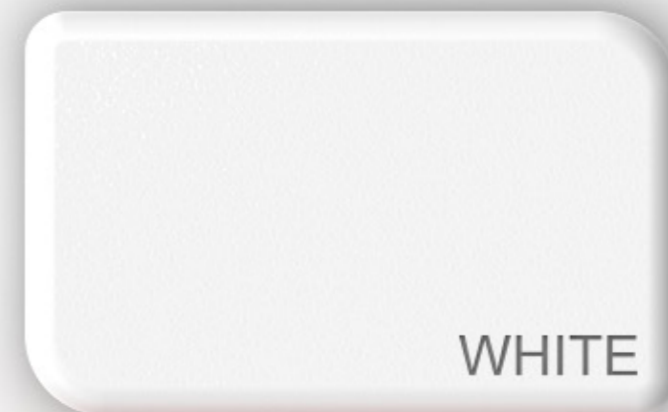
Side Table.....	48-51
Fun & Games.....	52-55
Warranty/Shipping/Lead Times.....	90-91



## COLOR OPTIONS **Phenolic**



## COLOR OPTIONS **Plastic**



\*Denotes Special Order color. Minimum order amounts apply.  
Speak with your sales representative to order samples.



# LOUNGE







# Akoya

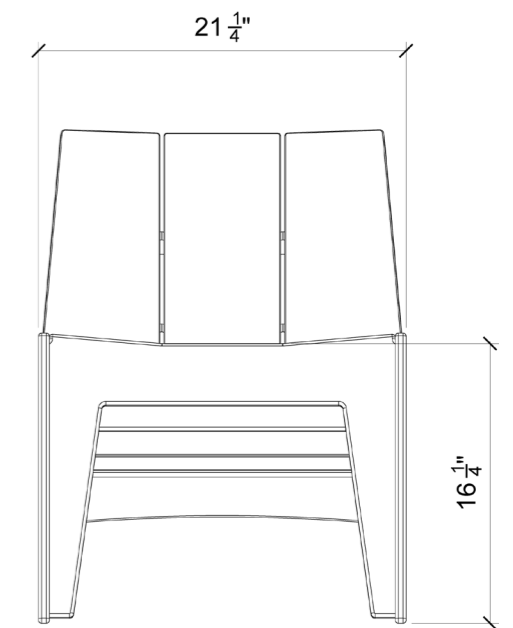
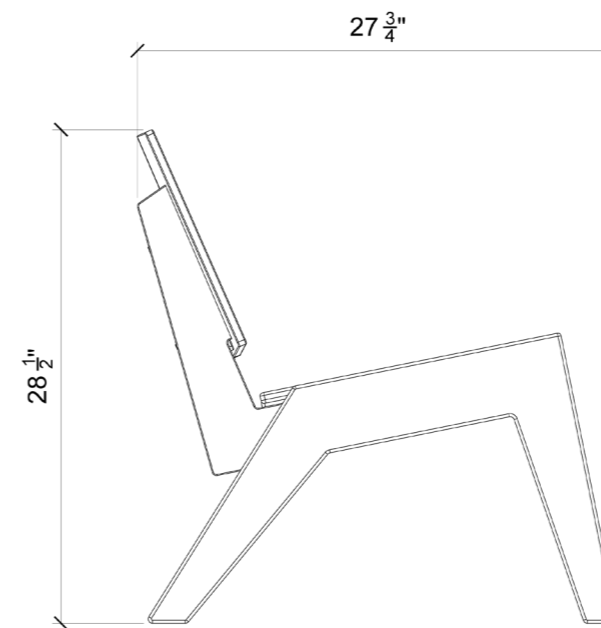
This all occasion chair is timeless and sleek and adds just the right touch of flair to any space. Perfect for the patio, around a campfire or dotted along the beach, Jackie Kennedy said it best, "Pearls are always appropriate."

## Product Features

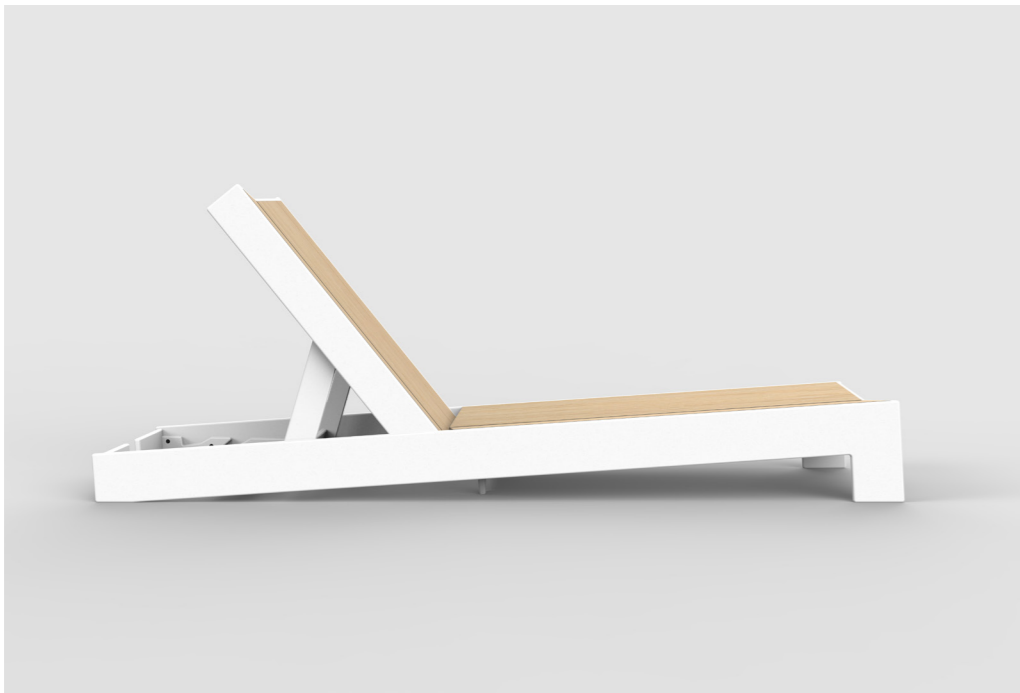
- Made of HDPE and high strength phenolic.
- Zero maintenance. Never needs to be refinished or re-stained.
- UV resistant
- Waterproof (fresh and salt water)
- Wont sag, rust, warp, splinter or crack
- Commercial grade

## Product Details

- 5 year warranty
- 55 lbs







# Colby

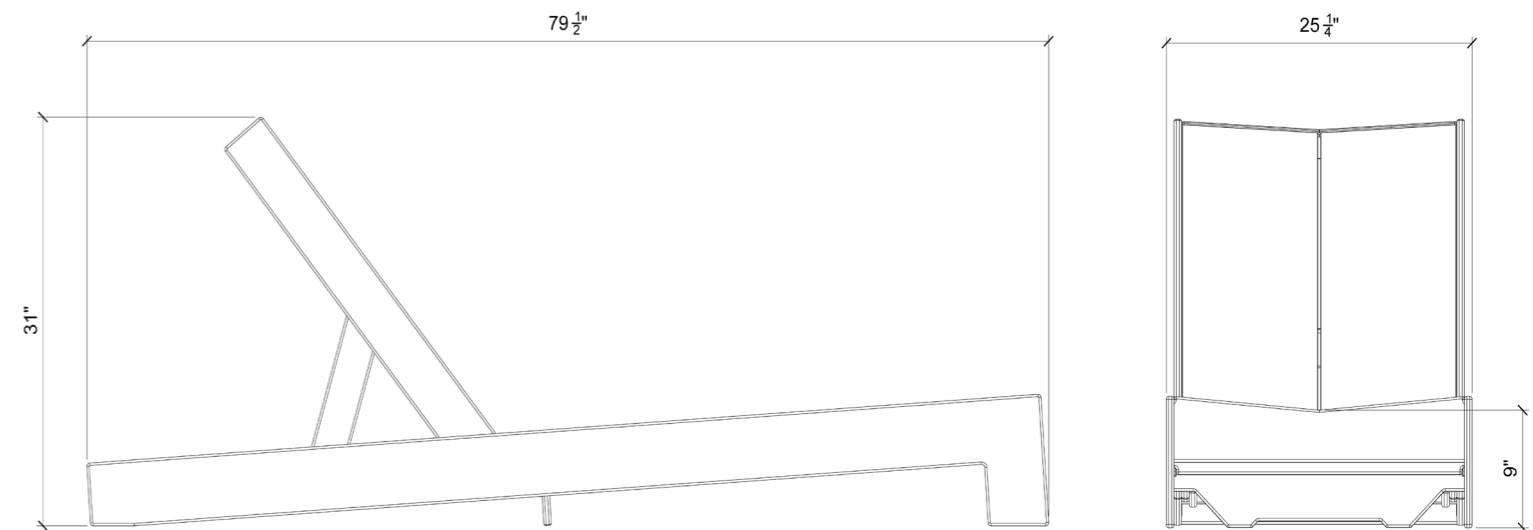
Sit up, lay back or lie down all the way...you choose your level of relaxation. 3 positions, 6 color combos, 4 seasons of weather tolerance, 1 great adjustable chaise. Adjusts easily by simply lifting or laying down the back into one of three position holders.

## Product Features

- Made of HDPE and high strength phenolic.
- Zero maintenance. Never needs to be refinished or re-stained.
- UV resistant
- Waterproof (fresh and salt water)
- Wont sag, rust, warp, splinter or crack
- Commercial grade

## Product Details

- 5 year warranty
- 3 adjustable positions







# Lounge-11

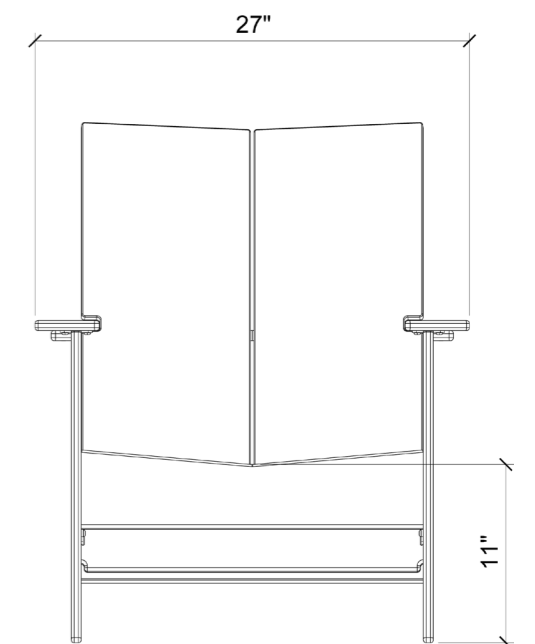
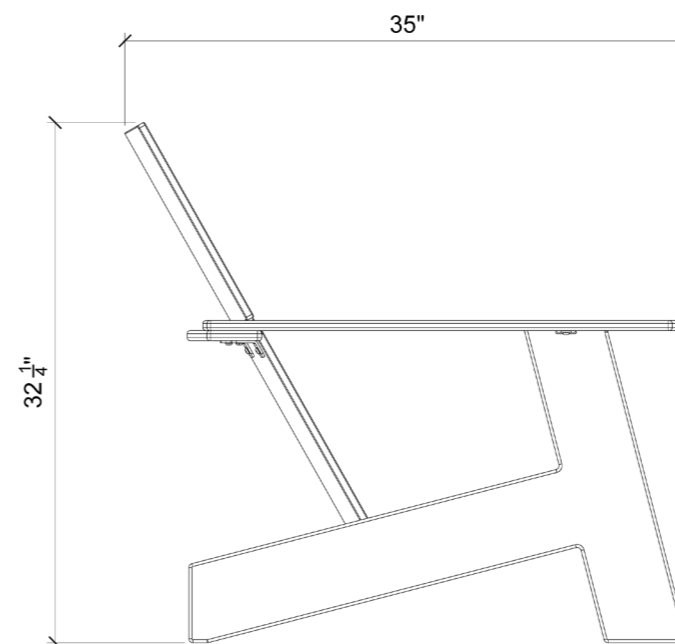
Simplistic in its beauty but with an ever so cool demeanor, the Lounge-11 adds sophistication and style to any patio, deck, pool or rooftop. A V-seat and back provide ergonomic comfort and the subtle details of its design elevate its surroundings. Aptly named because of its 11" seat height, the Lounge-11 keeps you relaxed all 365 days a year.

## Product Features

- Made of HDPE and high strength phenolic.
- Zero maintenance. Never needs to be refinished or re-stained.
- UV resistant
- Waterproof (fresh and salt water)
- Won't sag, rust, warp, splinter or crack
- Commercial grade

## Product Details

- 5 year warranty
- 60 lbs







# Midway

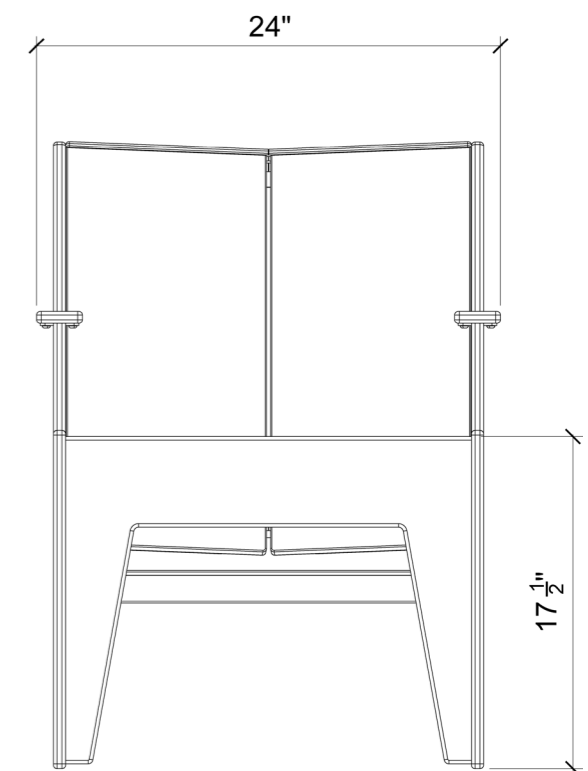
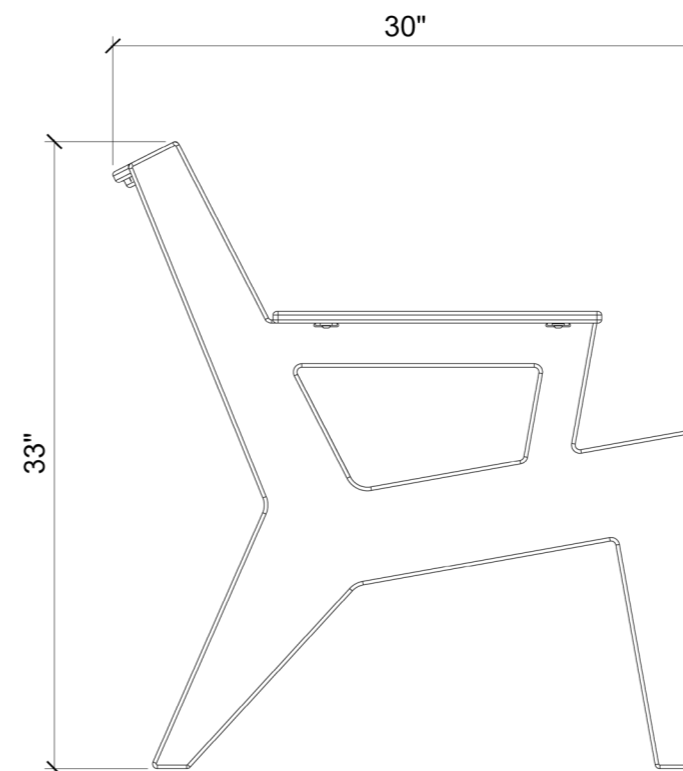
With a V-back, slatted contoured seat, arms and tall seat height, the Midway lounge chair is comfortable, stylish and as always, zero-maintenance. Easy to sit in, easy to look at and easy to get out of, not that you'll want to.

## Product Features

- Made of HDPE and high strength phenolic.
- Zero maintenance. Never needs to be refinished or re-stained.
- UV resistant
- Waterproof (fresh and salt water)
- Wont sag, rust, warp, splinter or crack
- Commercial grade

## Product Details

- 5 year warranty
- 65 lbs







# Midway 46"

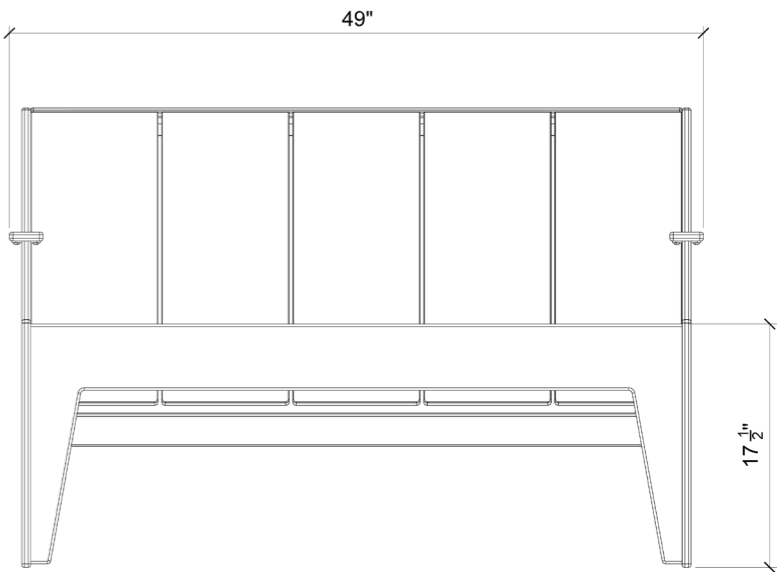
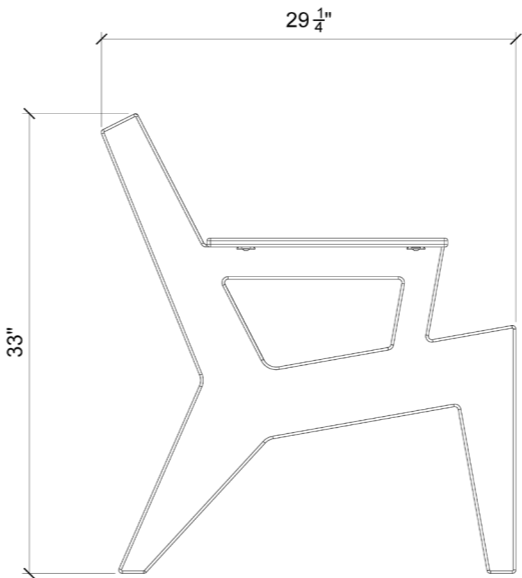
The Midway 46' outdoor bench is perfect for parks, patios, pools and anywhere else you'd want stylish seating. All-weather and zero-maintenance, this outdoor staple will become your new favorite place to sit with a friend.

### Product Features

- Made of HDPE and high strength phenolic.
- Zero maintenance. Never needs to be refinished or re-stained.
- UV resistant
- Waterproof (fresh and salt water)
- Wont sag, rust, warp, splinter or crack
- Commercial grade

### Product Details

- 5 year warranty
- 115 lbs







# Moderondak

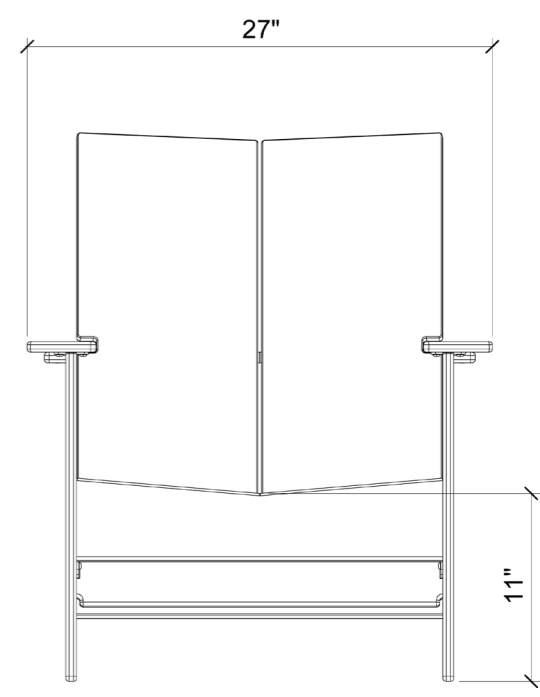
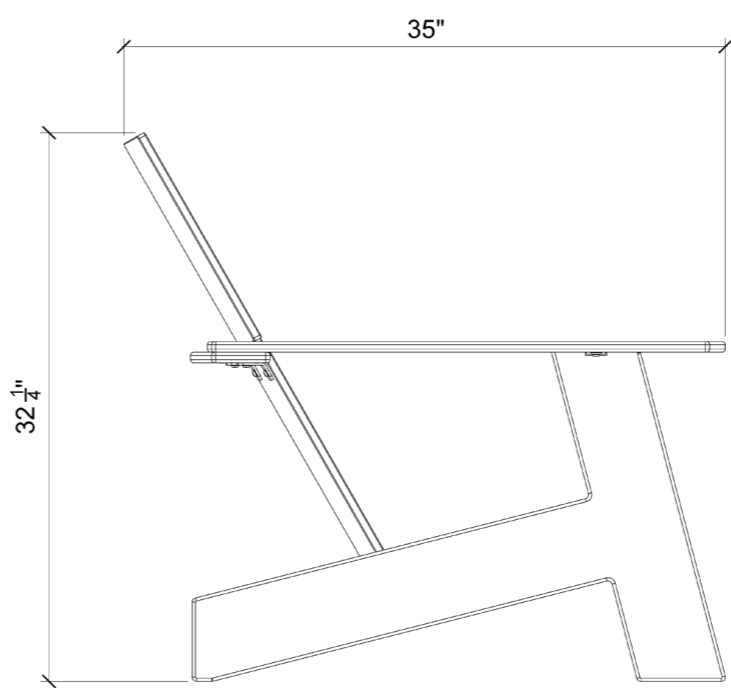
A salute to the conventional Adirondack, our Moderondak is a twist on tradition. It's big arms and laid back air pay homage to its origins but the clean lines and an unrestricted cantilever seat bring this chair to the 21st century.

## Product Features

- Made of HDPE and high strength phenolic.
- Zero maintenance. Never needs to be refinished or re-stained.
- UV resistant
- Waterproof (fresh and salt water)
- Wont sag, rust, warp, splinter or crack
- Commercial grade

## Product Details

- 5 year warranty
- 60 lbs







# Moderondak 46"

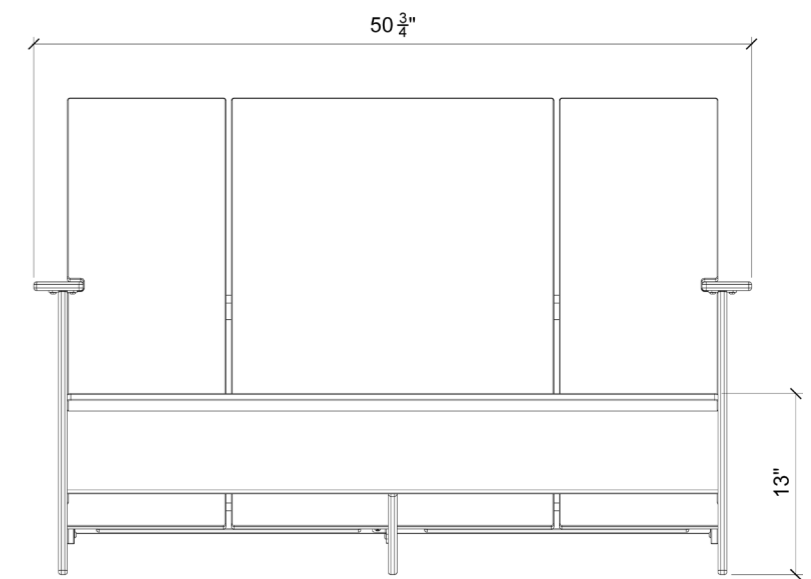
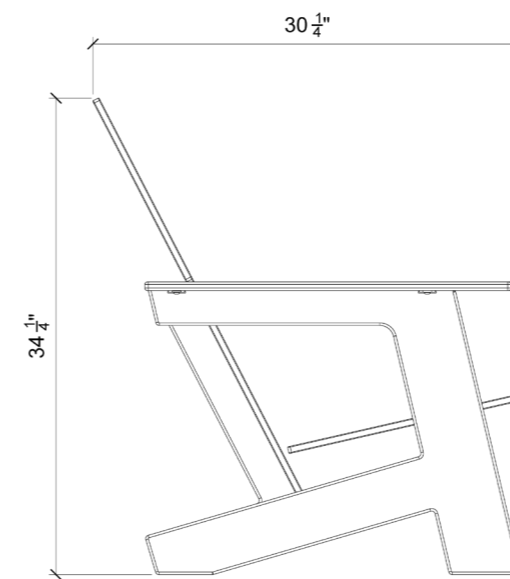
Double the fun, with a Moderondak made for two.

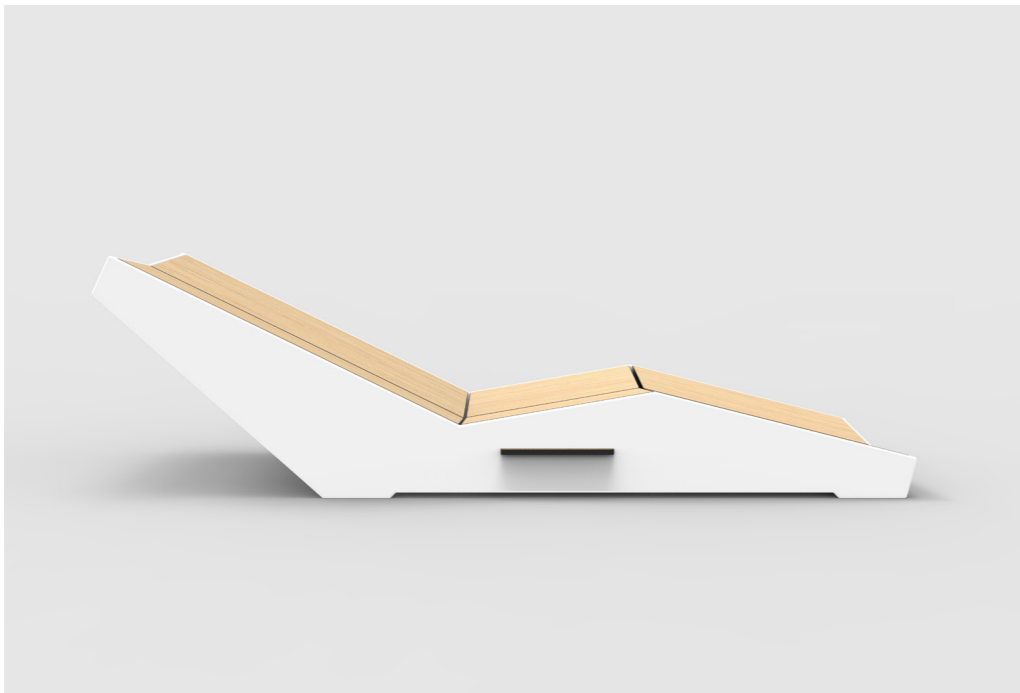
## Product Features

- Made of HDPE and high strength phenolic.
- Zero maintenance. Never needs to be refinished or re-stained.
- UV resistant
- Waterproof (fresh and salt water)
- Wont sag, rust, warp, splinter or crack
- Commercial grade

## Product Details

- 5 year warranty
- 115 lbs





# Range

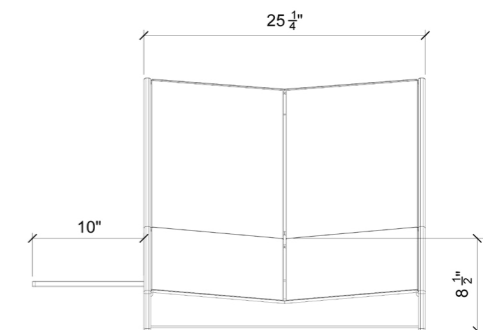
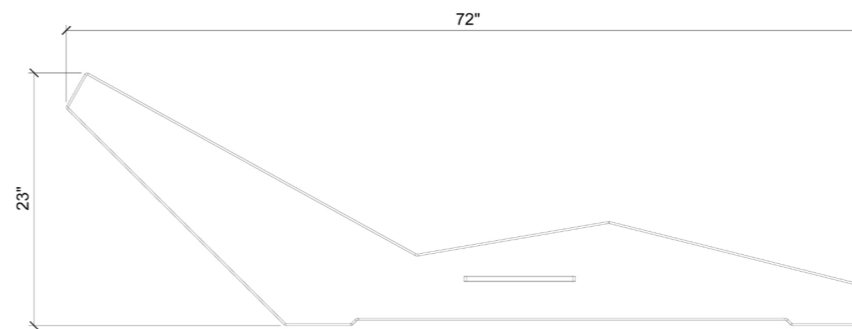
An all weather, outdoor chaise lounge with peaks and valleys in all the right places. Includes a phenolic pull out side table.

## Product Features

- Made of HDPE and high strength phenolic.
- Zero maintenance. Never needs to be refinished or re-stained.
- UV resistant
- Waterproof (fresh and salt water)
- Wont sag, rust, warp, splinter or crack
- Commercial grade
- Pull out side table

## Product Details

- 5 year warranty
- 130 lbs





# DINING





# 6-Dot

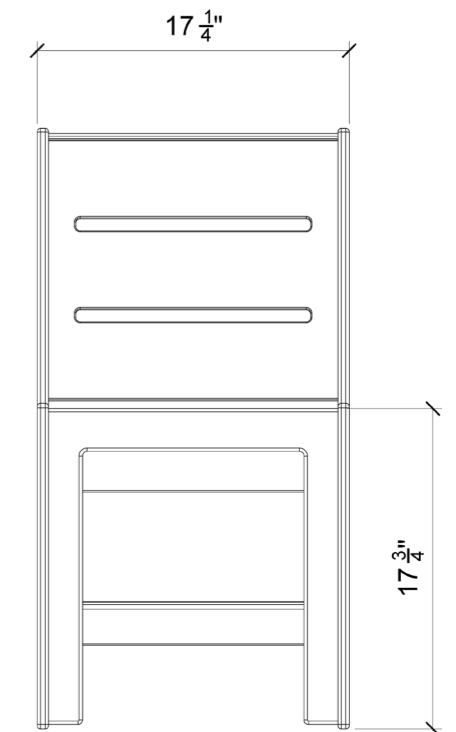
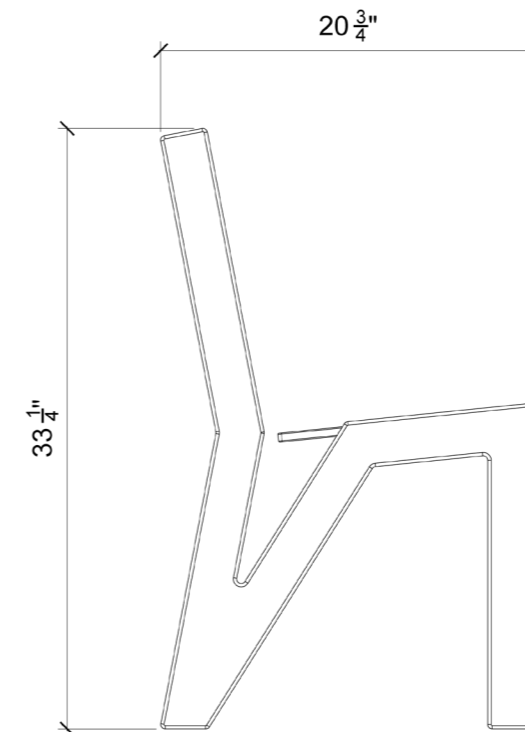
Follow the line to stylish comfort. This modern outdoor dining chair combines slim lines with hefty performance to provide the ultimate dining experience.

## Product Features

- Made of HDPE and high strength phenolic.
- Zero maintenance. Never needs to be refinished or re-stained.
- UV resistant
- Waterproof (fresh and salt water)
- Wont sag, rust, warp, splinter or crack
- Commercial grade

## Product Details

- 5 year warranty
- 40 lbs







# Lane

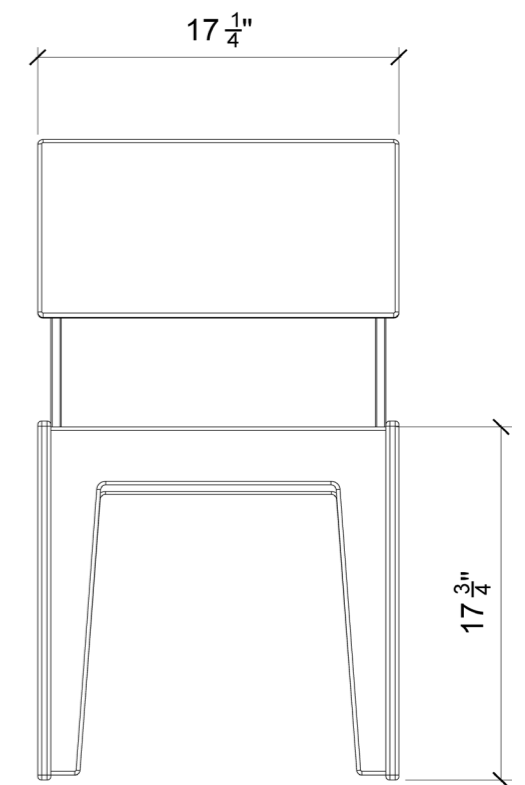
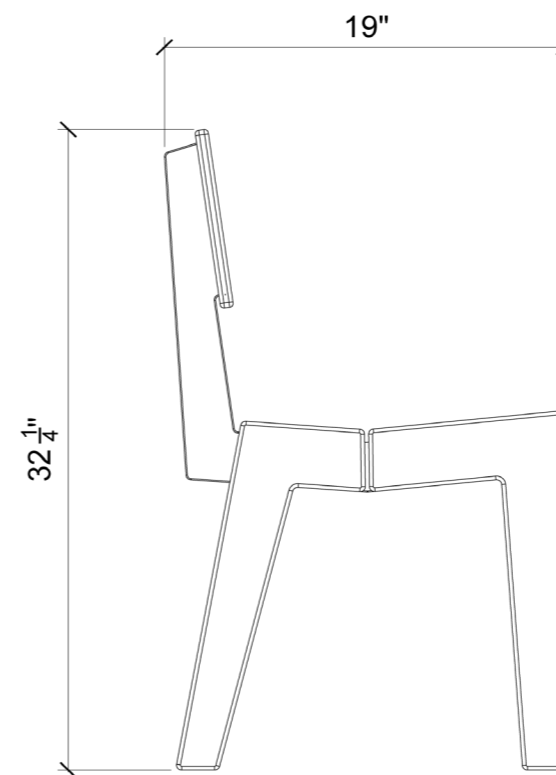
Simply put, its simply fantastic. This zero-maintenance dining chair stands up so you can comfortably sit down. Don't let it's simplistic design fool you. Made of HDPE and high strength phenolic, there's muscle underneath it's minimal design.

## Product Features

- Made of HDPE and high strength phenolic.
- Zero maintenance. Never needs to be refinished or re-stained.
- UV resistant
- Waterproof (fresh and salt water)
- Wont sag, rust, warp, splinter or crack
- Commercial grade

## Product Details

- 5 year warranty
- 35 lbs





# Klad 36" Dining

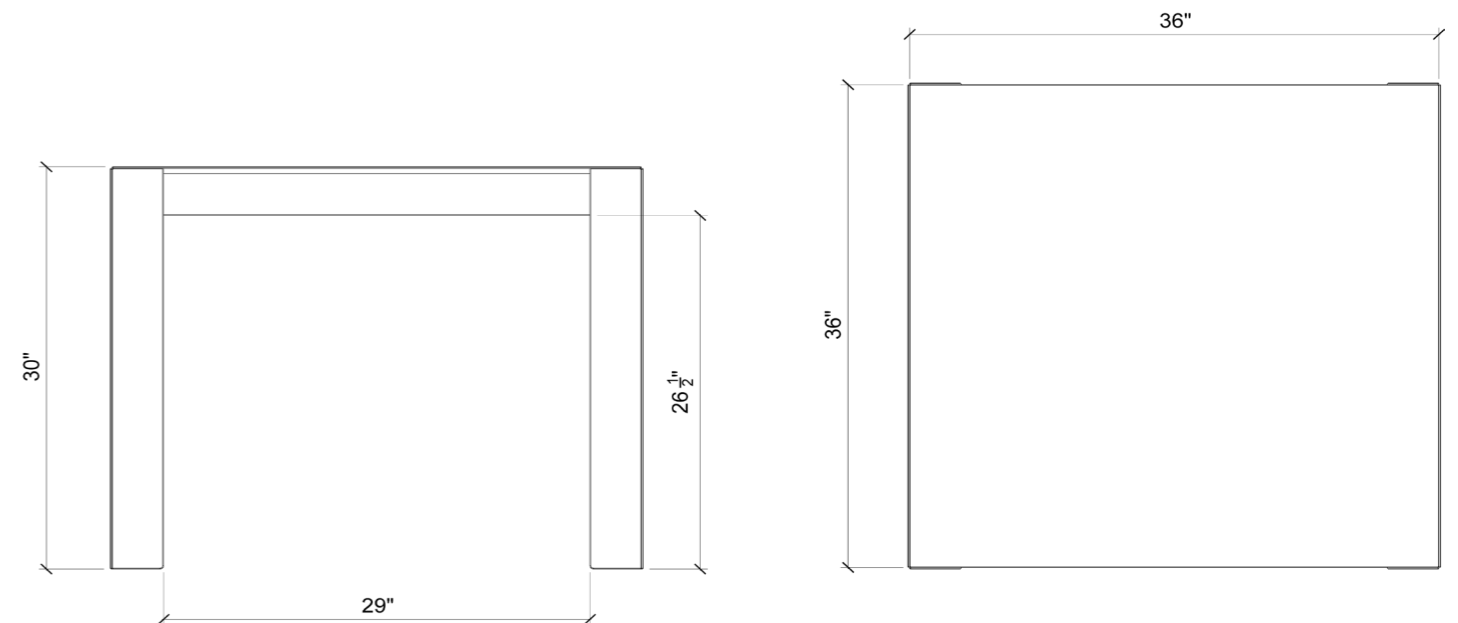
A contemporary table for contemporary dining. Gone are the days when your outdoor furniture had to look like "outdoor furniture". Bring the indoors, outside with this bold and modern dining table. Designed to comfortably seat 4.

## Product Features

- Made of HDPE and high strength phenolic.
- Zero maintenance. Never needs to be refinished or re-stained.
- UV resistant
- Waterproof (fresh and salt water)
- Wont sag, rust, warp, splinter or crack
- Commercial grade

## Product Details

- Optional Umbrella Hole
- 5 year warranty
- 100 lbs







# Klad 72" Dining

Who says the furniture you put outside has to look like "outdoor furniture". Bring the indoors, outside, with the Klad 72" Dining Table. Beautiful enough to go inside, durable enough to stay outside, all year long. Comfortably seats 6.

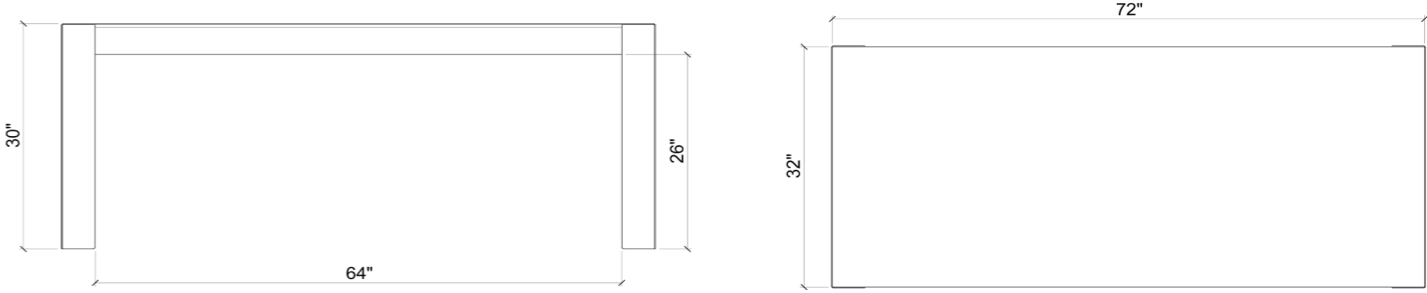
### Product Features

- Made of HDPE and high strength phenolic.
- Zero maintenance. Never needs to be refinished or re-stained.
- UV resistant
- Waterproof (fresh and salt water)
- Wont sag, rust, warp, splinter or crack
- Commercial grade



### Product Details

- Optional Umbrella Hole
- 5 year warranty
- 150 lbs





# Klad 95" Dining

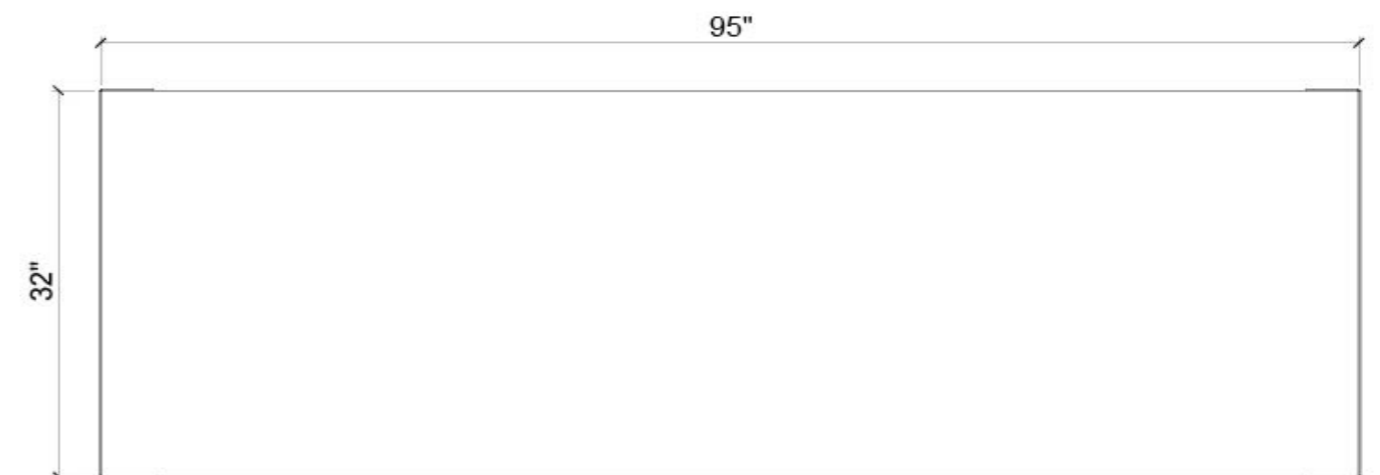
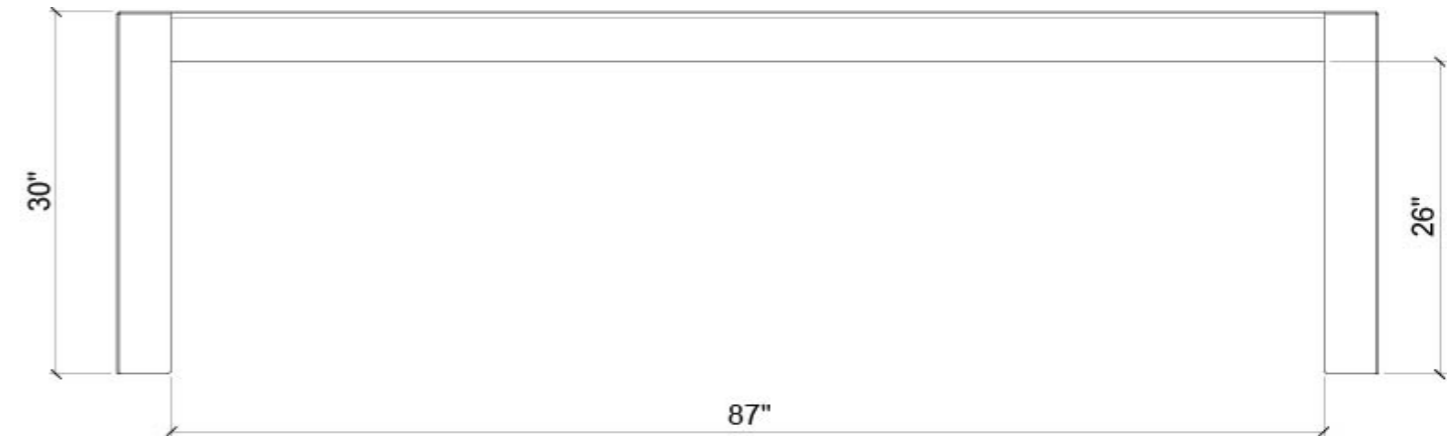
A big outdoor table for big outdoor parties. Made of rigid phenolic, this all weather champion gives everyone a seat at the table. Comfortably sits 8, seats 10 if you get cozy.

## Product Features

- Made of HDPE and high strength phenolic.
- Zero maintenance. Never needs to be refinished or re-stained.
- UV resistant
- Waterproof (fresh and salt water)
- Wont sag, rust, warp, splinter or crack
- Commercial grade

## Product Details

- Optional Umbrella Hole
- 5 year warranty
- 190 lbs







# Mesa 46" Dining

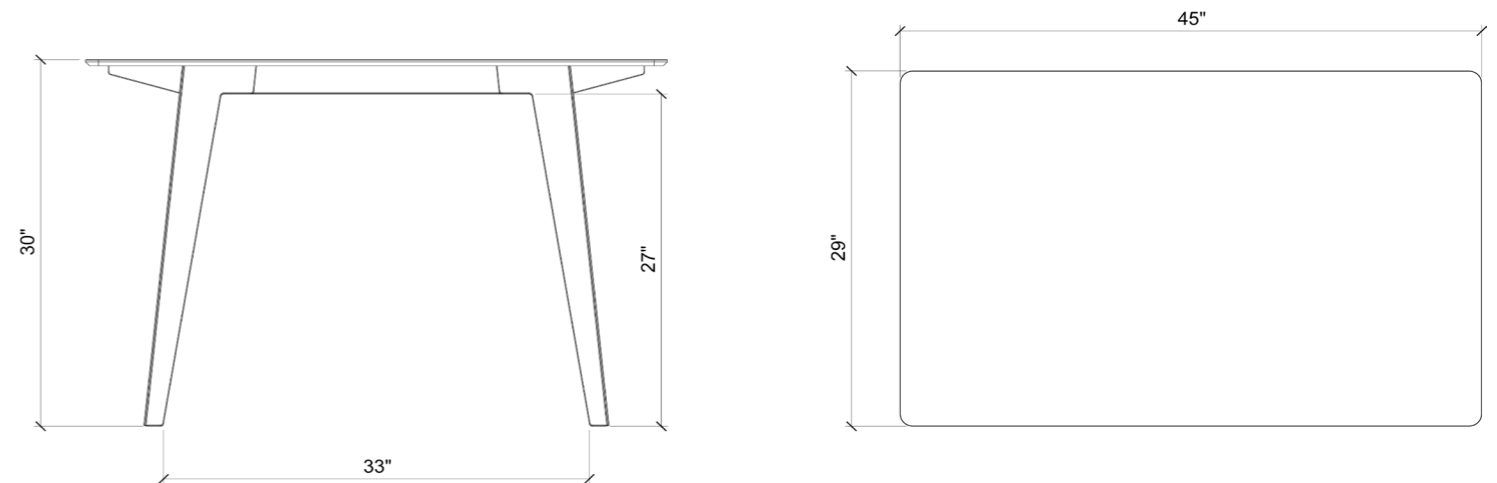
Perfect for smaller spaces, the Mesa 46" has a minimal footprint but is still big on style. And because smaller spaces usually mean less storage, this outdoor dining table is designed to stay outdoors year-round in any weather. So leave it out and be ready for any impromptu outdoor dinner.

## Product Features

- Made of HDPE and high strength phenolic.
- Zero maintenance. Never needs to be refinished or re-stained.
- UV resistant
- Waterproof (fresh and salt water)
- Wont sag, rust, warp, splinter or crack
- Commercial grade

## Product Details

- Optional Umbrella Hole
- 5 year warranty
- 95 lbs





# Mesa 73" Dining

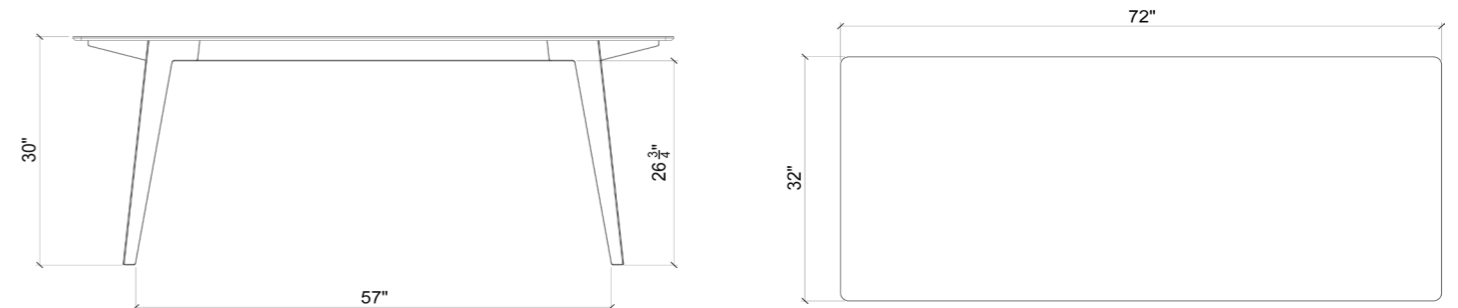
It doesn't get better than enjoying a meal in the fresh air. The Mesa dining table allows you to do that, in style. Zero-maintenance and all weather with sleek tapered legs and a large top there's plenty of room for up to 6 people, no matter the season.

## Product Features

- Made of HDPE and high strength phenolic.
- Zero maintenance. Never needs to be refinished or re-stained.
- UV resistant
- Waterproof (fresh and salt water)
- Wont sag, rust, warp, splinter or crack
- Commercial grade

## Product Details

- Optional Umbrella Hole
- 5 year warranty
- 125 lbs





# Nexus Bistro

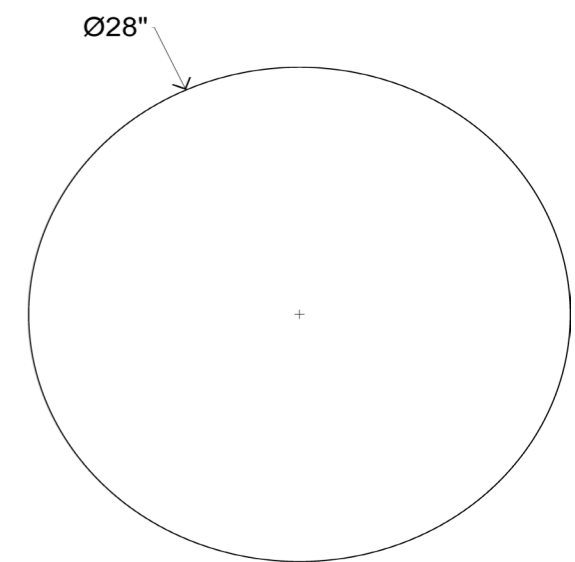
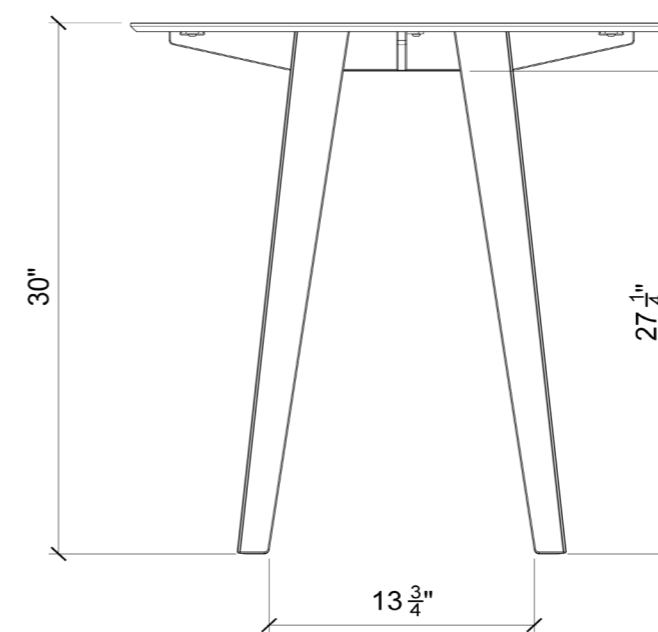
An outdoor table for two. Perfect for everywhere, but especially where space is limited. Don't worry about storing it away, because this zero-maintenance beauty is made to be outdoors all year round.

## Product Features

- Made of HDPE and high strength phenolic.
- Zero maintenance. Never needs to be refinished or re-stained.
- UV resistant
- Waterproof (fresh and salt water)
- Wont sag, rust, warp, splinter or crack
- Commercial grade

## Product Details

- Optional Umbrella Hole
- 5 year warranty
- 95 lbs







# Nexus 44" Dining

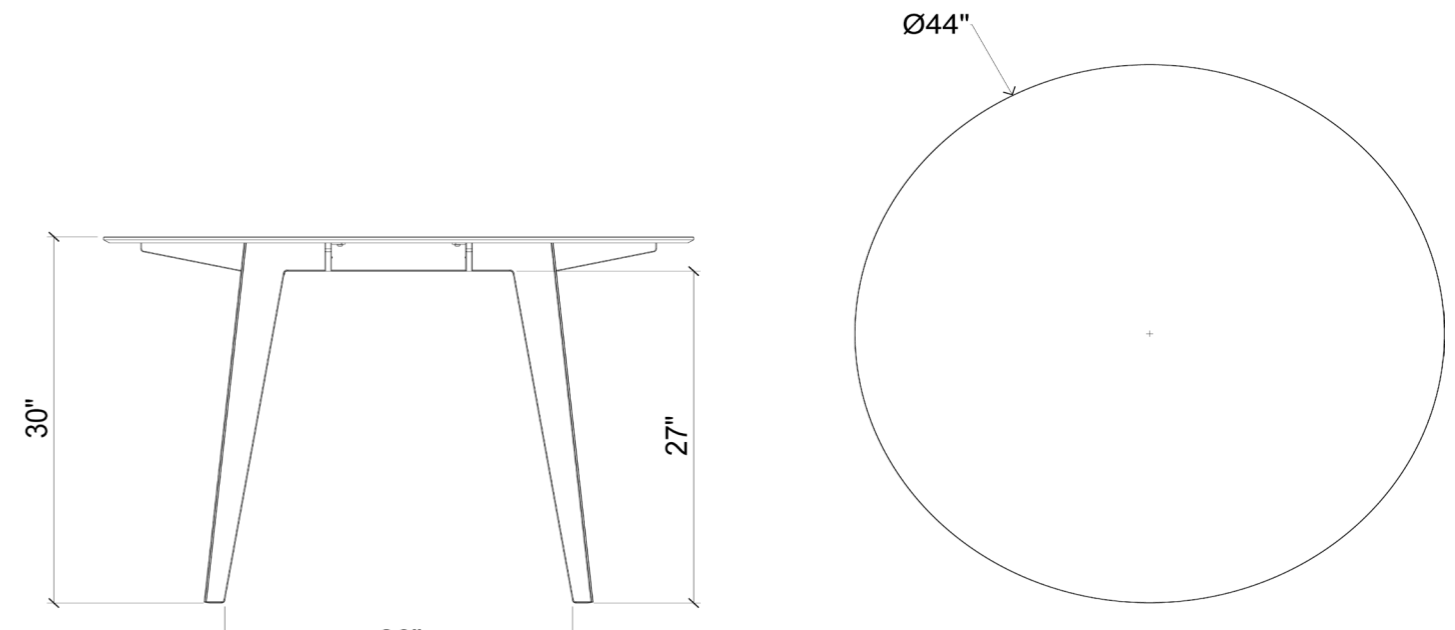
Designed for intimate dinners with family and friends, the Nexus dining table has a classic look yet modern feel. Legs that flair out provide plenty of leg room both side to side and vertically between seat and table bracing. The Nexus seats four and is available with or without an umbrella hole.

## Product Features

- Made of HDPE and high strength phenolic.
- Zero maintenance. Never needs to be refinished or re-stained.
- UV resistant
- Waterproof (fresh and salt water)
- Wont sag, rust, warp, splinter or crack
- Commercial grade
- Optional umbrella hole

## Product Details

- Optional Umbrella Hole
- 5 year warranty
- 95 lbs





# SIDE TABLE



# Camber 16"

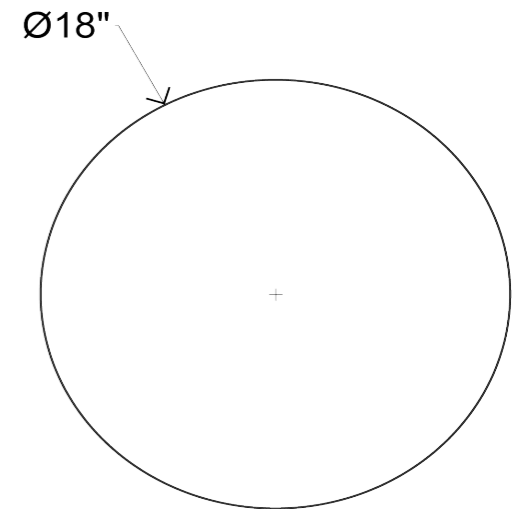
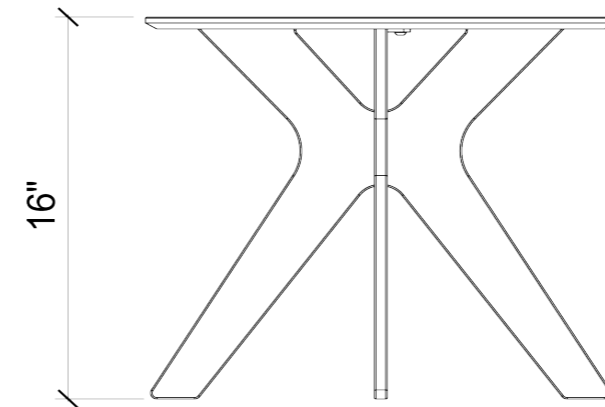
A side table for every chair.

## Product Features

- Made of HDPE and high strength phenolic.
- Zero maintenance. Never needs to be refinished or re-stained.
- UV resistant
- Waterproof (fresh and salt water)
- Wont sag, rust, warp, splinter or crack
- Commercial grade

## Product Details

- 5 year warranty
- 15 lbs







# FUN & GAMES



# Rally Ping Pong Table

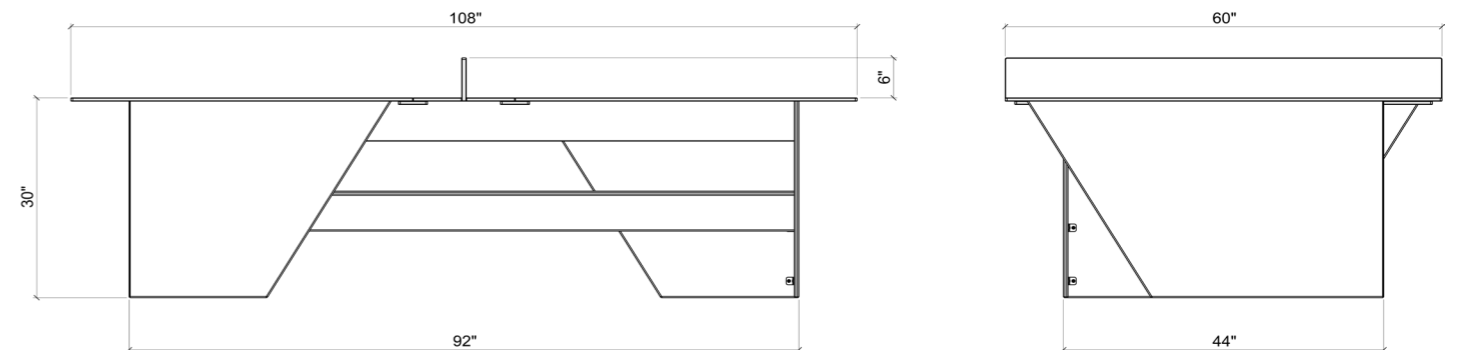
A person can only lounge for so long. Get up and get moving with our Rally exterior ping pong table. Regulation size, commercial grade and ready for fun no matter the season.

## Product Features

- Made of HDPE and high strength phenolic.
- Zero maintenance. Never needs to be refinished or re-stained.
- UV resistant
- Waterproof (fresh and salt water)
- Wont sag, rust, warp, splinter or crack
- Commercial grade

## Product Details

- Does not come with paddles or balls
- 5 year warranty
- 440 lbs



## Lead Times

All products are made to order. Lead times are 6-8 weeks.

Depending on what and how much you order, production can take up to 8 weeks.

## Warranty

### DESCRIPTION OF WARRANTY:

360Five Designs builds products you can trust. Our materials and building methods have been selected and tested to ensure a quality product each and every time. We guarantee that products will be free from defect and faults, and will be of excellent quality and workmanship. If for any reason you are dissatisfied with your product, 360Five Designs will work with you to make things right.

### WHAT OUR WARRANTY COVERS:

We warrant against failure of our products, and any of their components, due to defective materials or workmanship, for 5 years from the date of purchase. Brass and stainless steel components are also warrantied, against breakage, for 5 years from the date of purchase. Furniture used for commercial purposes has the same warranty.

### WHAT OUR WARRANTY DOES NOT COVER:

Our warranty does not cover damage caused by animals, improper use, normal wear, neglect, abuse, vandalism, acts of nature or God, or any furniture that has been physically altered. Our products have UV inhibitors to reduce fading, however nothing can completely prevent color shifts due to sun and weathering. This warranty does not cover color change due to sun exposure or weathering.

### WHAT WILL VOID YOUR WARRANTY:

Warranty on our products will be void if products are assembled incorrectly or if repairs have been made by anyone other than 360Five Designs. Abnormal or destructive use of our furniture or products will nullify your warranty.

### SHOULD YOU NEED TO INVOKE YOUR WARRANTY:

Take comfort in the fact that we will do our best to remedy any situation that may arise with your furniture. Should one of our products fail due to a material or workmanship flaw, within the 5 year window of warranty, 360Five will repair or replace your piece, per our discretion, at no cost to you. Color matches on replacement parts are not guaranteed or warranted. Should your product fail after your warranty is up, 360Five will replace the defective part. Cost of the defective part, shipping, handling and labor associated with the replacement, will be the responsibility of the original purchaser.

## Shipping

Unless your order is very small, all orders are shipped palletized freight. You can either have furniture shipped pre-assembled or unassembled flat pack. A freight quote will be required for both.

Please email your representative for a quote.

## Our Return Policy

All items are made to order. We do not accept returns, exchanges or cancellations.

However, if your item arrives damaged or flawed we will exchange or replace it.

## Care Instructions

Simply wipe down with soapy water and washcloth. Avoid using harsh chemicals or anything abrasive, such as a scouring pad, as that may dull the material. All pieces are scratch resistant, waterproof and will never need to be refinished or painted.

## Custom Orders

We do make custom items or customize our current products. Please reach out for a quote.